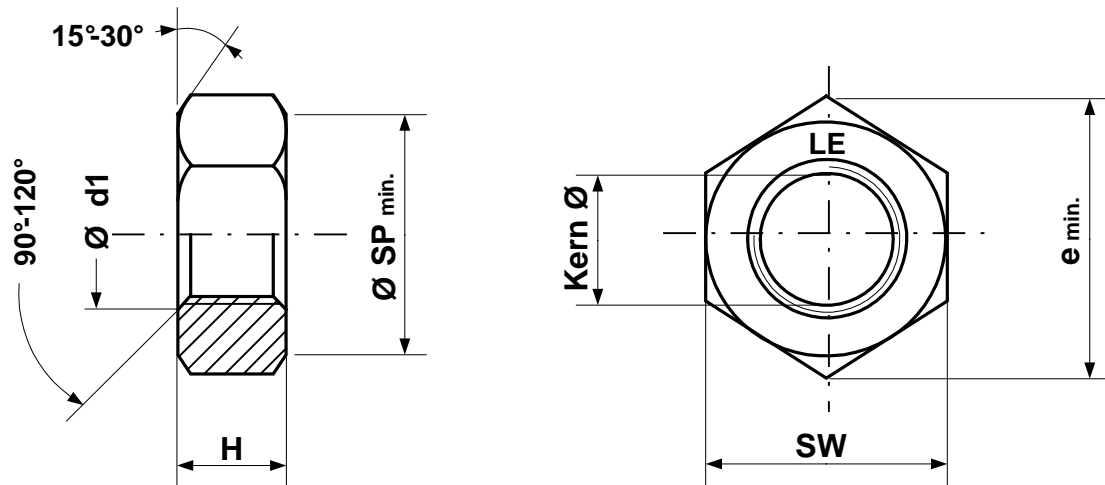


Sechskantmutter HR DIN EN 14399-3



| Sorte | Einsatzg. | SW | H | KernØ | e min. | ØSP ^{min.} | Ød1 |
|-------|-----------|-------|-------|--------|--------|---------------------|------|
| | Fertigg. | | | | | | |
| M 12 | 29,4 g | 22,00 | 10,80 | 10,441 | 23,91 | 20,10 | 13,0 |
| | 25,6 g | 21,16 | 10,37 | 10,106 | | | 12,0 |
| M 14 | 44,2 g | 24,00 | 12,80 | 12,210 | 27,12 | 21,86 | 15,1 |
| | 39,0 g | 23,16 | 12,10 | 11,835 | | | 14,0 |
| M 16 | 58,4 g | 27,00 | 14,80 | 14,210 | 29,56 | 24,90 | 17,3 |
| | 52,4 g | 26,16 | 14,10 | 13,835 | | | 16,0 |
| M 18 | 71,8 g | 30,00 | 15,80 | 15,744 | 32,95 | 27,70 | 19,5 |
| | 60,8 g | 29,16 | 15,10 | 15,294 | | | 18,0 |
| M 20 | 91,4 g | 32,00 | 18,00 | 17,744 | 35,03 | 29,50 | 21,6 |
| | 80,4 g | 31,00 | 16,90 | 17,294 | | | 20,0 |
| M 22 | 129,8 g | 36,00 | 19,40 | 19,744 | 39,55 | 33,30 | 23,7 |
| | 114,8 g | 35,00 | 18,10 | 19,294 | | | 22,0 |
| M 24 | 186,9 g | 41,00 | 21,50 | 21,252 | 45,20 | 38,00 | 25,9 |
| | 170,5 g | 40,00 | 20,20 | 20,752 | | | 24,0 |
| M 27 | 253,3 g | 46,00 | 23,80 | 24,252 | 50,85 | 42,80 | 29,1 |
| | 233,3 g | 45,00 | 22,50 | 23,752 | | | 27,0 |
| M 30 | 333,5 g | 50,00 | 25,60 | 26,771 | 55,37 | 46,60 | 32,4 |
| | 308,2 g | 49,00 | 24,30 | 26,211 | | | 30,0 |