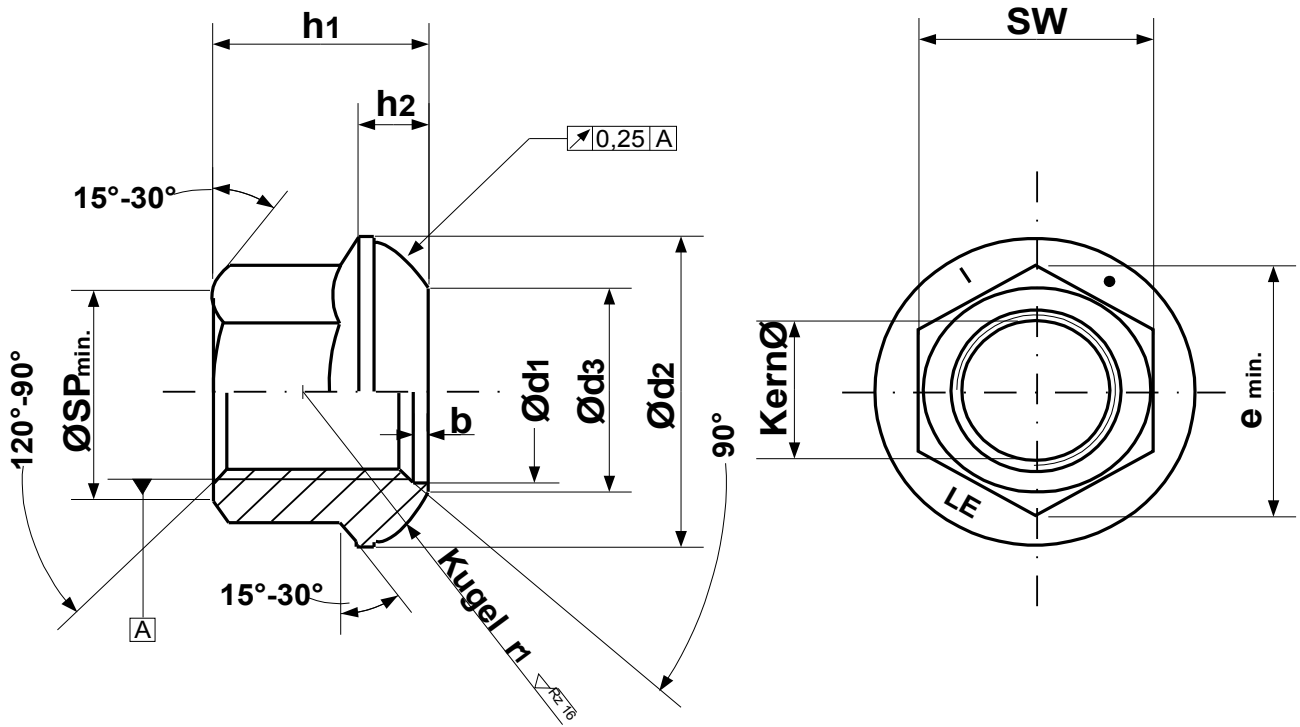


# Kugelbundmutter DIN 74 361 Form A A 22



Sorte	SW	h1	h2	KernØ	Ød1	Ød2	Ød3	min. ØSP	emin.	b	Kugel r1	Eins.g
												Fertgg.
M 22x1,5	30,00	31,0	11,0	20,676	22,83	36,0	26,5	28,2	33,23	4,5	18,1	116,0 g
	29,67	30,0	10,0	20,376	22,50	35,5	26,0					4,0